



The sleek, minimal, geometric design of the CUBIX SQUARE wall light is equally suited for indoor and outdoor spaces.

FEATURES

- + High grade aluminium housing - resists corrosion from moisture and salt
- + IP 65 - Suitable for outdoor application
- + Two directional light output
- + Available in three finishes



GENERAL SPECIFICATIONS

LED	9W
Lumens	600 lm (3000K)
Colour	<input type="checkbox"/> 3000K, Warm White <input type="checkbox"/> 4000K, Cool White
Efficacy	88 lm/w (3000K)
Beam	30°
Material	Powder Coat Aluminium
CRI	90+
Finish	White Black Grey
IP	65
Colour Deviation	SDCM ≤2
Lifetime	L70 >100,000hrs
Warranty	3 Years

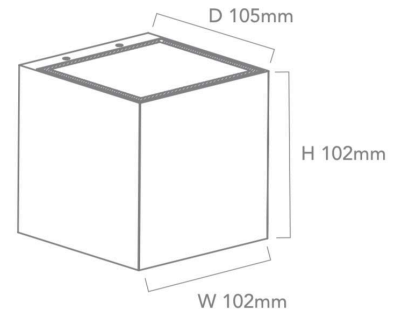
PROJECT DETAILS

PROJECT:

TYPE:

NOTES:

DIMENSIONS (mm)



DRIVER SPECIFICATIONS

Power	240V Built-In Driver
Dimming	Phase Cut Dimming
Power Factor	> 0.90

PRODUCT CODE

White, 3000K	83-CUS9W303
White, 4000K	83-CUS9W304
Black, 3000K	83-CUS9B303
Black, 4000K	83-CUS9B304
Grey, 3000K	83-CUS9G303
Grey, 4000K	83-CUS9G304

